

TRC 9730

Remote Control Unit



- Full remote control of VHF PR4G family transceivers and HF TRC 3500 transceiver
- Maximum distance 3 km
- Lightweight, compact and rugged
- Low consumption
- Integrated COMSEC module
- Full duplex intercom
- Possibility of connection with PR4G and SYSTEME 3000 peripherals
- Built-in test
- Emergency erase function to remove all information in memory, in the transceiver and any connected peripherals



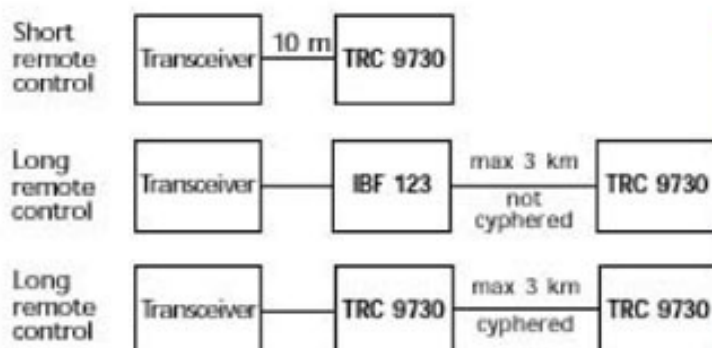
TRC 9730

Remote control configuration

The TRC 9730 is a remote control unit for VHF PR4G family transceivers (VHF option) or for HF TRC 3500 transceiver (HF option).

It is designed to be used on the ground or mounted on a vehicle. The TRC 9730 is used to remotely control a transceiver either from a distance of up to 10 meters (direct cable link to the transceiver) or from distances of up to 3 km.

In that case, the TRC 9730 is connected by a twisted pair to the modem IBF 123, or to another TRC 9730, (which is connected to the transceiver by a cable). The long distance connection can be encrypted using a built-in COMSEC module (TRC 9730 - TRC 9730 link only).



A full duplex intercom link can be established on the long distance link.

Functions of the TRC 9730/IBF 123

Both at short and long distance, the TRC 9730 offers:

- remote control of all functions accessible on the front panel of a transceiver (controls, services)
- loading of initial transceiver elements with short and cyphered long distance remote control.
- connection of an audio set and loudspeaker.
- connection and power supply for any peripheral (TRC 9710/9710A tactical terminal, TRC 9724 fill gun, TRC 9750A smart handset).

In the long distance remote configuration, the TRC 9730 also offers:

- service channel connection for full duplex intercom between both sides of the remote.

Remote control inhibits the front panel functions of the transceiver.



TRC 9730 Remote control unit



IBF 123 Modem

Spécifications techniques

Visualisation	LCD : 2 lignes de 16 caractères
Clavier	20 touches, étanche, éclairable par l'arrière
Interface de télécommande de l'émetteur-récepteur	Interface asynchrone V24/V28 à 4800 bits/sec, protocole avec acquittement, retransmission, reprise
Interface déport longue distance	- Raccordement physique par paire téléphonique 10 m à 3 km - Option déport chiffrant de la télécommande et des signaux phonie et données
Alimentations	24 V à partir du réseau de bord du véhicule Boîtier piles lithium ALI 132 Batterie CdNi ALI 124
Consommation	Inférieure à 230 mA pour 7 V (TRC 9730) Inférieure à 50 mA pour 18 V (IBF 123)
Volume	< 1,5 l (TRC 9730) < 1 l (IBF 123)
Poids	< 1,8 kg (TRC 9730) < 1 kg (IBF 123)
Gamme de température opérationnelle	- 30° C à + 70° C

THALES

THALES Communications
Battlespace Radio

66, rue du Fossé Blanc - BP 156 - 92231 Gennevilliers Cedex - FRANCE

Phone: +33 (0)1 46 13 20 00 - Fax: +33 (0)1 46 13 21 63

www.thales-communications.com